

CITY OF ESCONDIDO  
C/L INTERSECTION TIES

TIE # 866

DATE: 3/2008

CENTRE CITY PKWY @ 5TH AVE

DRAWN: BH

CHECKED: PF

CENTRE CITY PARKWAY  
OLD 395 HWY

7-15-91  
SEALE  
FALCONIERI  
HUERTA  
TUNNEL

NOTE:  
■ = FOUND 12" SQ. CONC. MON.  
WITH 1 1/2" BRASS DISC.-  
NOT STAMPED  
SET IN 1949 BY CAL-TRANS

NOTE:  
ALL TIES ARE TANGENT  
OVER 90° TO CL AND  
CHIS. '+' ON TC

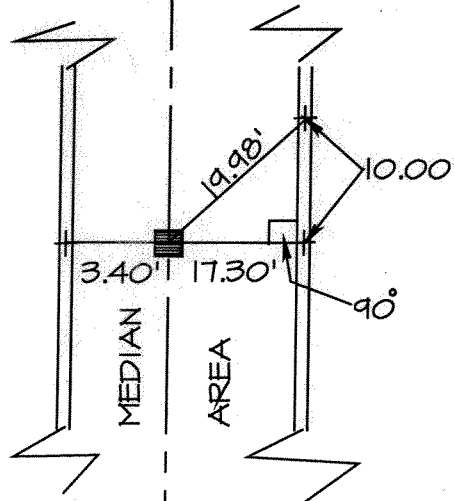


CENTRE  
CITY PKWY

NOTE:  
RIGHT OF WAY MAP  
LO 19581  
P-1605-10

EP

EP



5TH

AVE